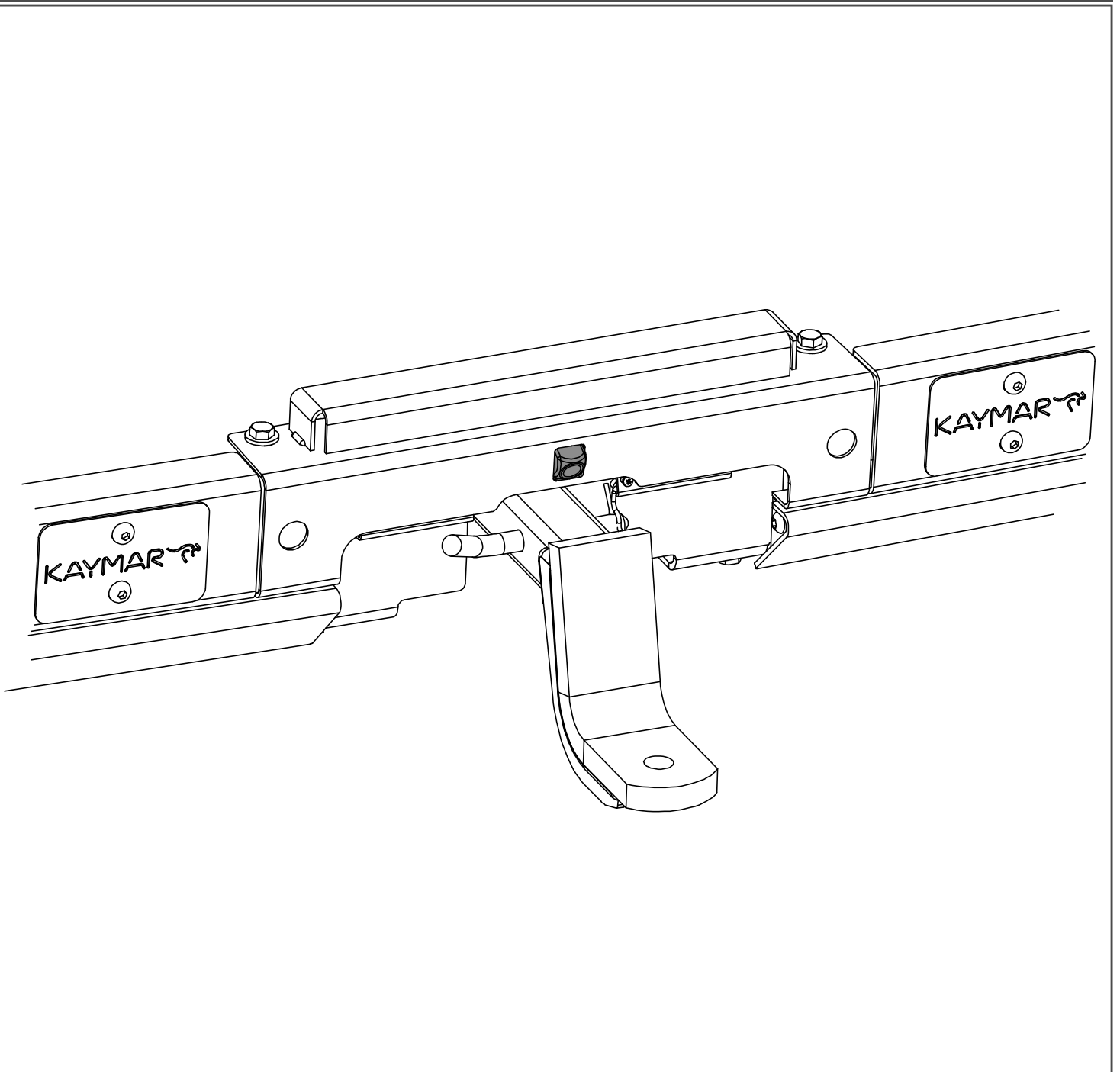




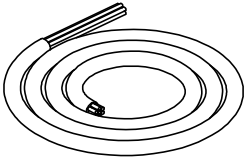







TOYOTA LC300

PRODUCTION DATE: OCTOBER 2021 ONWARDS

FITTING INSTRUCTIONS FOR:
ACCESSORY PART NUMBER: K6333
REVERSE CAMERA RELOCATION KIT



KIT CONTENTS

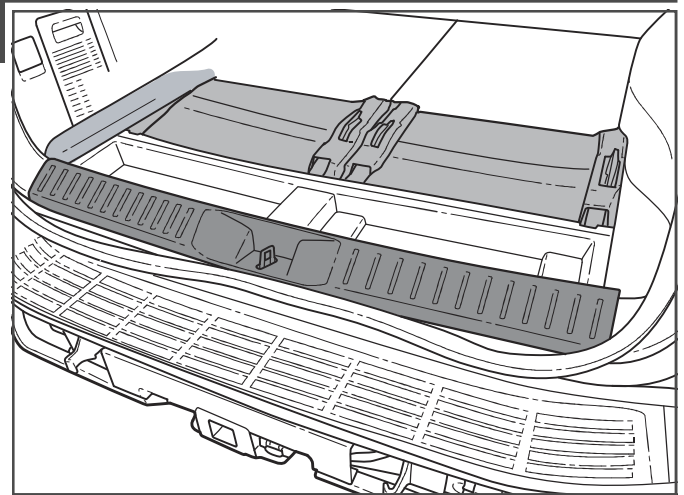
1	RELOCATION LOOM		x1
2	CAMERA BRACKET		GX, GXL x1
3	M5 x 20 BOLT		x2
4	M5 WASHER		x4
5	M5 NUT		x2
6	ADHESIVE FOAM		x1
7	COVER PLATE		GX, GXL x1
8	SELF TAPPING SCREW		x2

IMPORTANT

THE NEGATIVE TERMINAL OF THE VEHICLE BATTERY MUST BE DISCONNECTED BEFORE TOUCHING ANY OF THE REVERSE CAMERA CONNECTIONS.

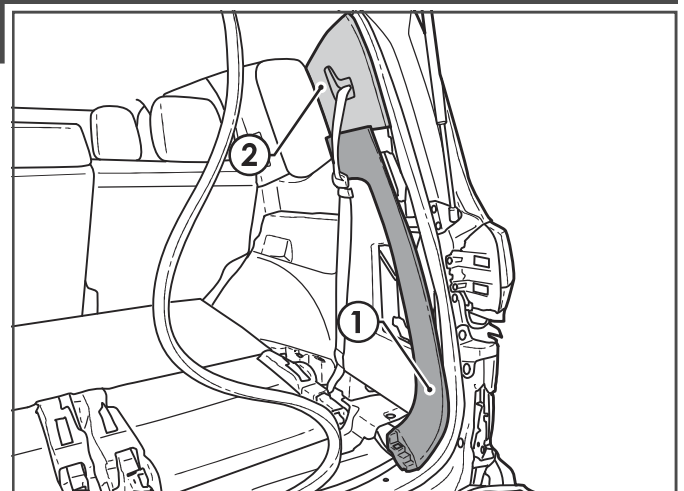
STEP 1

- In the luggage compartment, fold down the rear seats (if fitted).
- Remove the floor carpet/tray.
- Remove the LH & RH side floor wings.
- Remove the rear scuff trim.



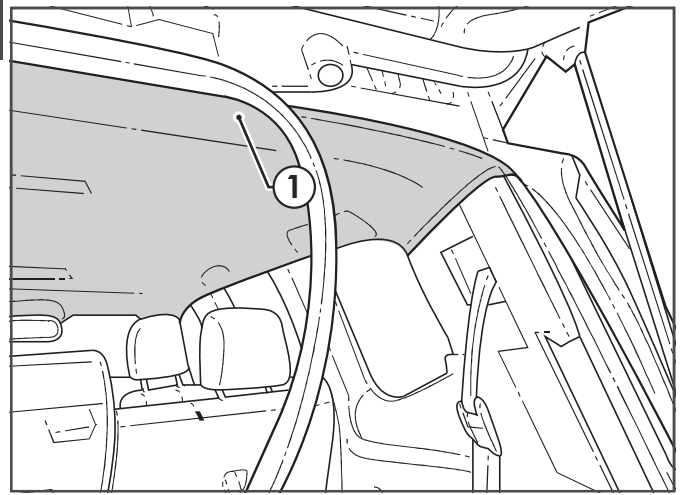
STEP 2

- Partially remove the RHS edge trim and dislodge the lower RHS D Pillar trim (1) then dislodge the upper RHS D-Pillar Trim (2) and move to the side to gain access to vehicle wiring connectors.



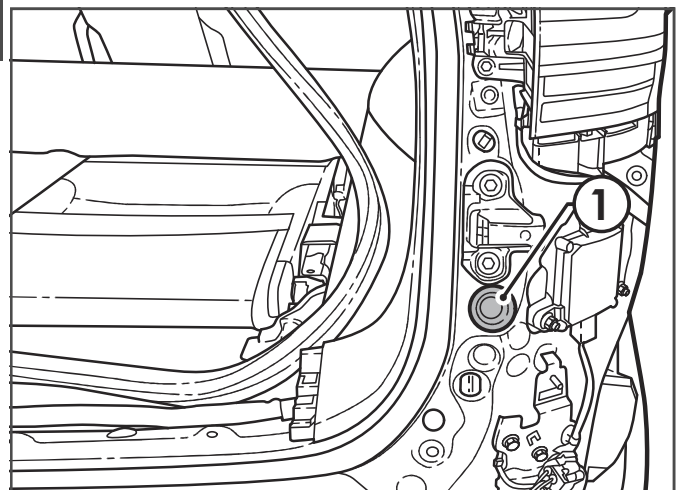
STEP 3

- Dislodge the Rear RHS section of the Roof by pulling it down (1).
- Disconnect the 18-way Black and 18-way White connectors at the Top Rear RHS of the vehicle.



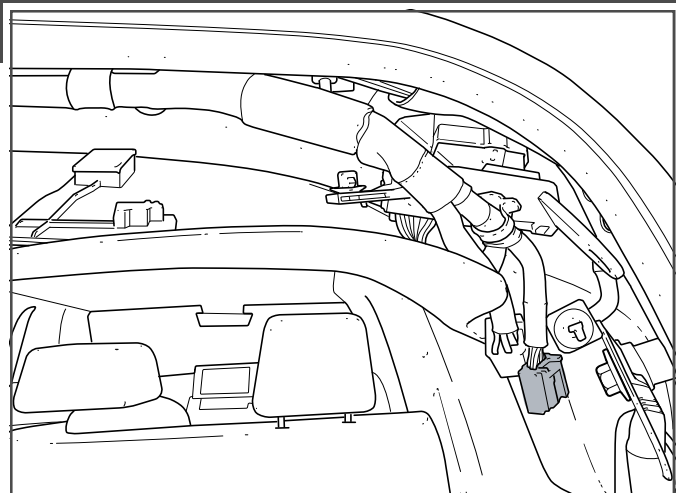
STEP 4

- Locate the 37mm Blanking Grommet (1) on the Rear RHS of the vehicle and remove.
- Locate the 37mm Blanking Grommet (1) on the Rear RHS of the vehicle and remove.



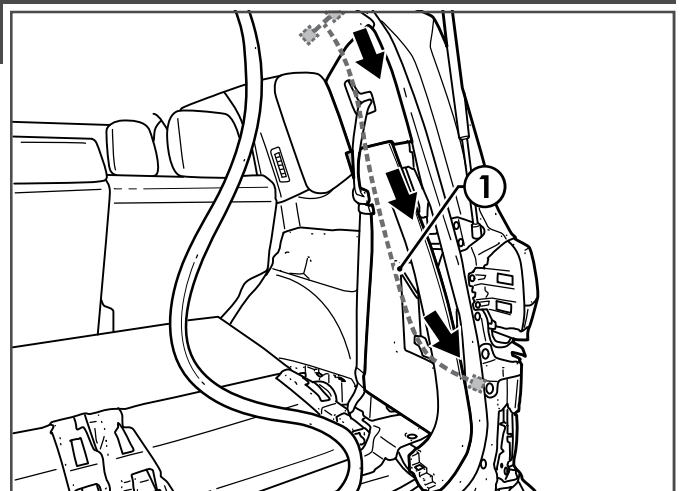
STEP 5

- Locate the White 18-way Female Vehicle Connector, Patch the White 18-way male and female connector on the PS137 Relocation Harness.
- Locate the Black 18-way Vehicle Connector, Patch the Black 18-way male and female connector on the PS137 Relocation Harness.



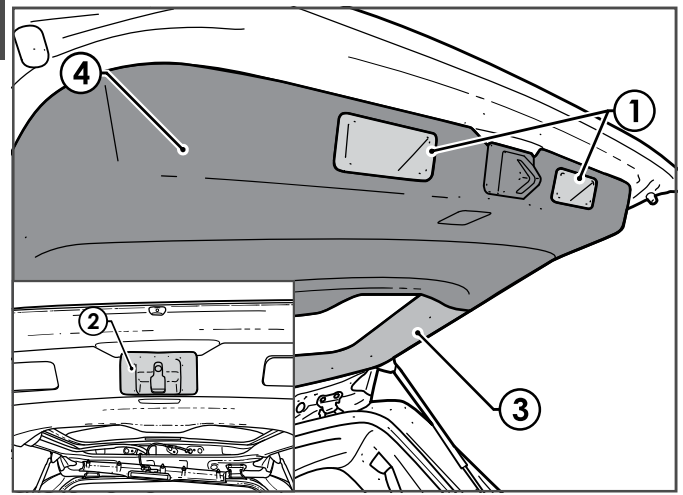
STEP 6

- Tuck the harness (1) behind the seat belt.
- Route the harness down the RHS Rear Trim
- Secure the harness to the Vehicle Harness using supplied cable ties.



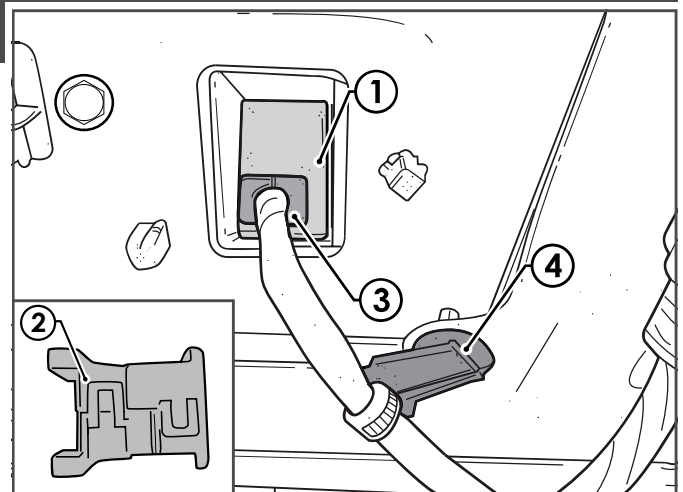
STEP 7

- Dislodge the Rear RHS section of the Roof by pulling it down (1).
- Using Trim Tool, remove the Tailgate Lower handle inserts (1).
- Remove the Latch shroud (2).
- Remove the Upper Window Surround Trim (3)
- Remove the Tailgate panel (4).



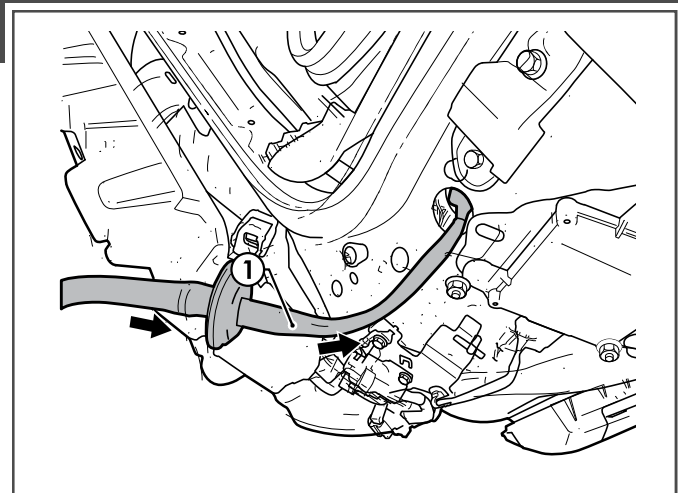
STEP 8

- Locate the Vehicle Reverse Camera (1) on the Tailgate
- Remove the Secondary Lock (2) by dislodging the two clips on both side.
- Disconnect the 6-Way Connector (3) by firmly pressing down on the centre of the connector.
- Dislodge the Mounting Clip (4).



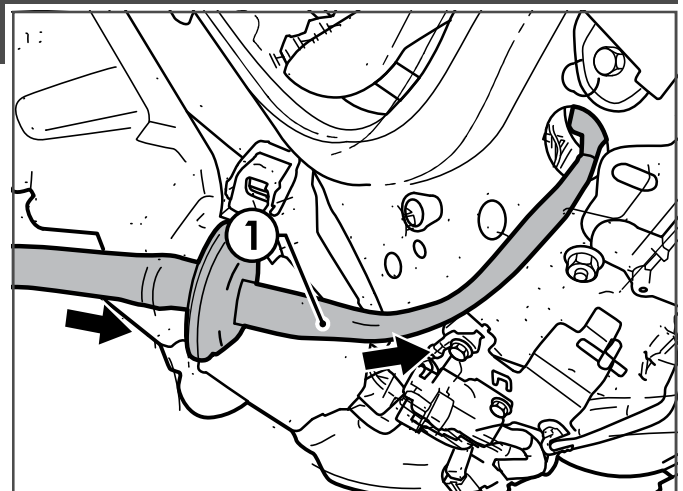
STEP 9

- Locate the White 18-way Female Vehicle Connector, Patch the White 18-way male and female connector on the PS137 Relocation Harness.



STEP 10

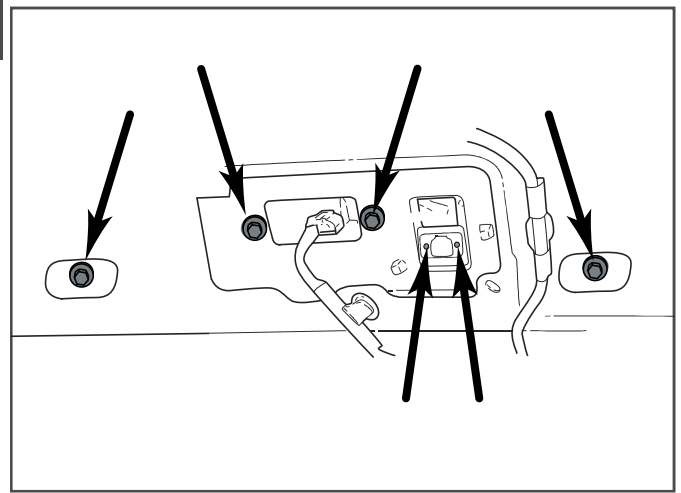
- Route the Camera Harness (1) Interconnect through the 37mm Hole into the vehicle.
- Seat the Grommet on the Camera Harness Interconnect in the 37mm Hole.
- From inside the vehicle, connect the 8-way Female on the inner Camera Harness which was previously routed.



STEP 11

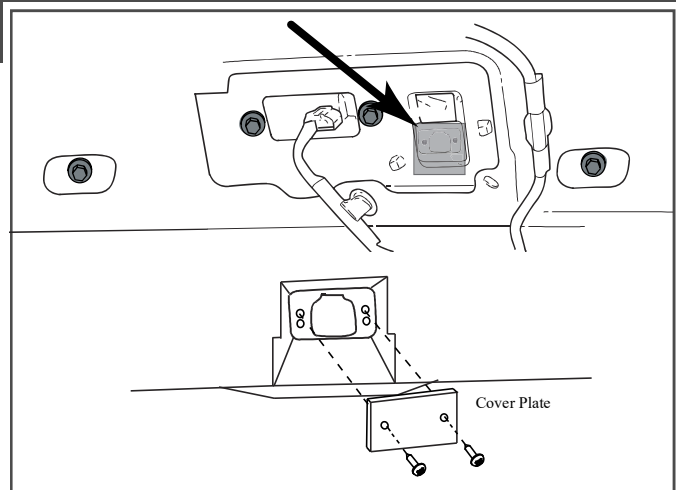
- Partially release the lower part of the tailgate outer trim by removing the 4 screws shown.
- Remove the 2 camera location screws. Do not discard.
- Gently lift the lower side of the tailgate outer trim and carefully remove the camera out from the rear of the tailgate door.

NOTE: A “T6” torx tool is required for these screws.



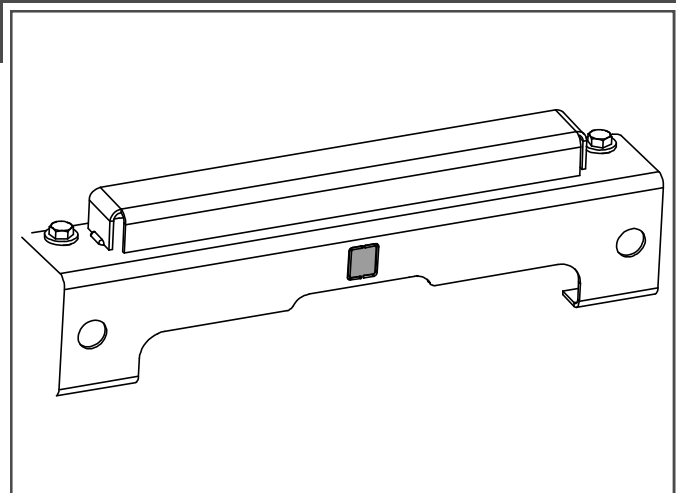
STEP 12

- Reinstall the tailgate outer trim screws previously removed.
- Install the supplied adhesive foam from the inside surface of the tailgate so that it completely covers the camera hole.
- Install the supplied cover plate from the outside of the tailgate with the 2 supplied self tapping screws.



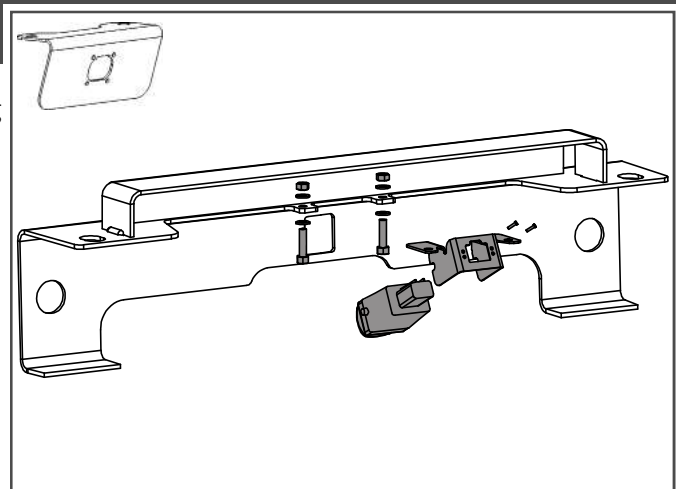
STEP 13

- Remove the centre panel from the rear bar
- Using a screw driver & plyers, remove the camera blanking tab from the centre panel by rotating it.
- Ensure the surrounding area is protected from damage.
- Clean up the break away points with a small file and using a suitable paint cover any bare metal portions.



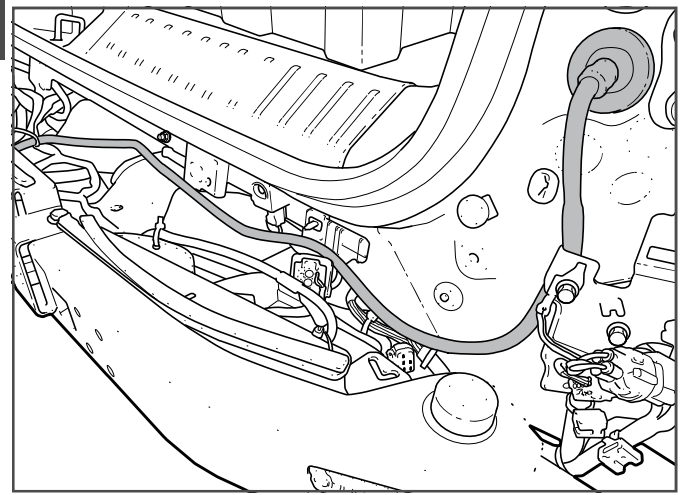
STEP 14

- Secure the Camera to the supplied mount bracket using the screws from previous step 11.
- Secure the camera & bracket to the centre panel as shown using the supplied M5 bolts, washers & nuts.



STEP 15

- Route Camera relocation harness along the rear bar harness as shown and connect to the camera.
- Secure the harness to the rear bar harness using the supplied cable ties.



STEP 16

- Reinstall the bumper.
- Reconnect the vehicle battery & test the Reverse Camera & RPA Systems
- Reinstall the trims that have been removed.

NOTE: It may be necessary to drive the car a short distance to recalibrate the reverse camera.

