



JEEP JT GLADIATOR

PRODUCTION DATE: 2019 ONWARDS

FITTING INSTRUCTIONS FOR:

ACCESSORY PART NUMBER: K703037CR-KIT

CAMERA RELOCATION



⚠ CAUTION

Ensure correct tools & appropriate PPE are used whilst installing this accessory


CARE INSTRUCTIONS

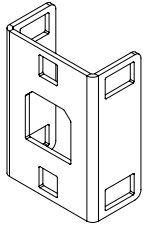
Wash with regular car wash products.
Regularly check bolt torque settings.

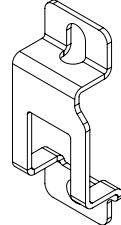
INSTALLATION TIME

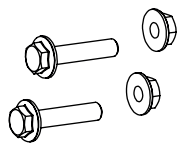
Approximately 30 minutes
(guide only).

KIT CONTENTS

1 FITTING INSTRUCTION

x1

2 MOUNT BRACKET

x1


3 CLAMP PLATE

x1

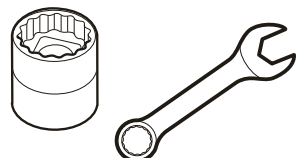
9 BOLT KIT

REFER PARTS LIST
x1

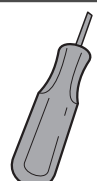
 CHECK THAT THE CONTENTS OF THE REAR BAR KIT ARE COMPLETE & UNDAMAGED PRIOR TO FITMENT.

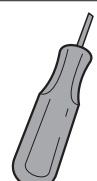
 IF ANY CONTENTS OF THE REAR BAR KIT ARE INCOMPLETE OR DAMAGED THEY MUST BE REPLACED USING SPECIFIED ACCESSORY COMPONENTS.

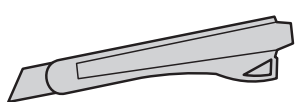
TOOLS REQUIRED

1 Electrical tape


2 Metric sockets & spanners


3 Hex head screwdrivers


4 Torx head screwdrivers


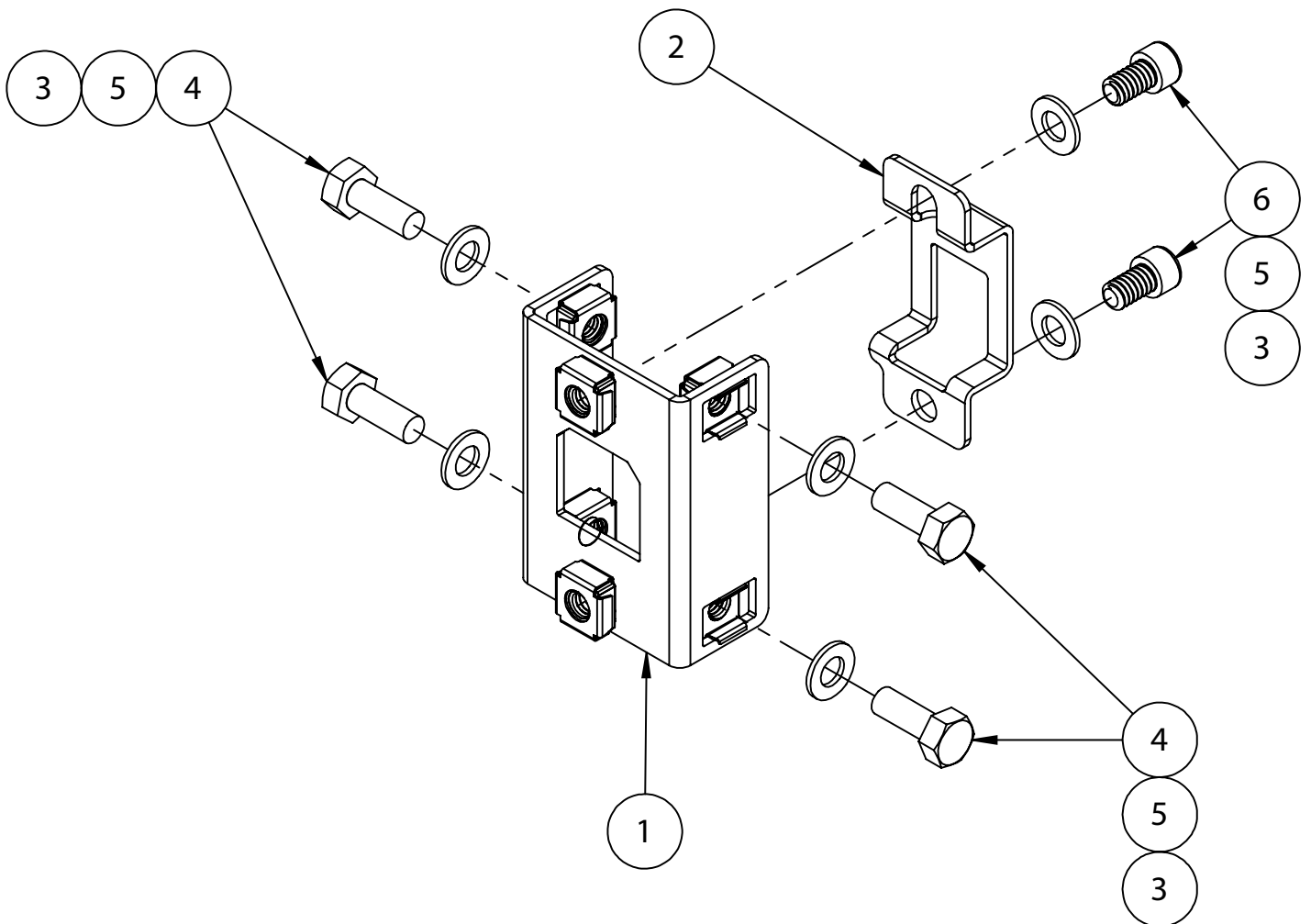
5 Sharp knife


CAMERA RELOCATION ASSEMBLY

PARTS LIST

Check contents of kit before commencing & report any discrepancies.

ITEM NO.	DESCRIPTION	QTY.
1	CAMERA MOUNT BRACKET - JT GLADIATOR	1
2	CAMERA CLAMP PLATE - JT GLADIATOR	1
3	M6 CAGE NUT	6
4	SET SCREW M6x16x1.0 PC8.8	4
5	WASHER FLAT M6X12.5X1.2	6
6	SCREWCAP HEX M6 X 10 X 1.0P	2
7	RUBBER GROMMET BLANKING 5/8"	1



NOTE:

M6 TORQUE SPEC - 8Nm (6ft-lb)

1.

Lower the tailgate and remove the centre inspection cover as shown by releasing 4x Torx head screws,

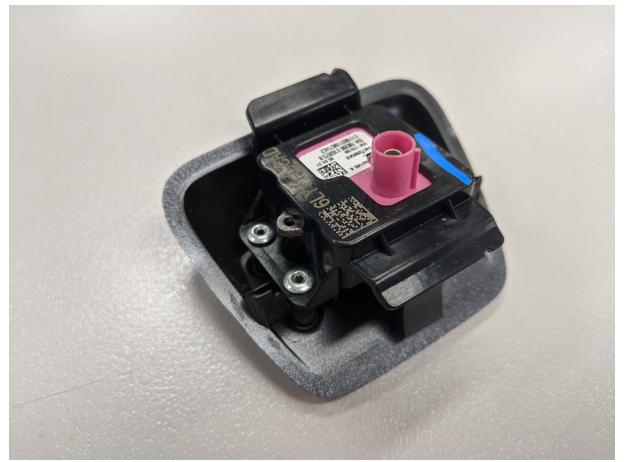
Place the cover and screws in a safe place to be re-installed later.



2.

Disconnect the pink camera plug, while supporting the camera housing from the outside & slide the black retaining clip to the right to release it from the tailgate.

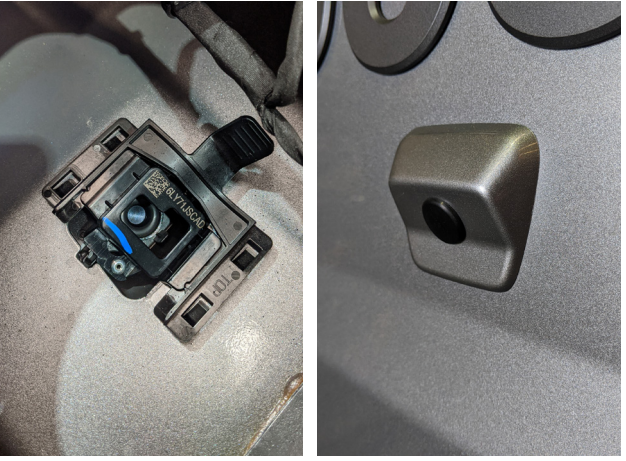
Release the camera from the housing by removing the 3x small Torx head screws and place the camera in a safe place.



3.

Re-assemble the camera housing using the previously removed Torx head screws and fit the housing back into the tailgate with the black retaining clip.

Plug the camera hole using the supplied rubber grommet as shown.



4.

Disconnect the black harness clip from the bottom edge of the opening in the tailgate and the white clip on the outside of the tailgate, remove these clips from the brake light / camera harness and place in a safe place to be re-fitted later.



5.

Unwrap the harness tape and split the reverse camera harness from the stop light harness until it can be pulled through to the outside of the tailgate.

Using electrical tape, re-attach the 2 harness clips and wrap the exposed section of harness to protect from chaffing.



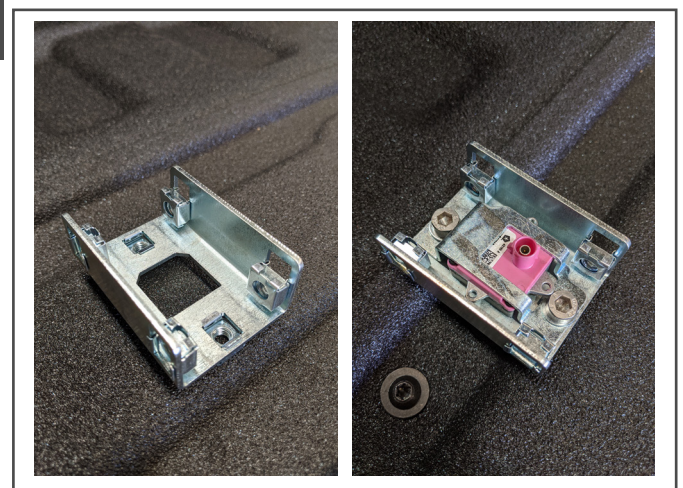
6.

Assemble the M6 cage nuts into the mount bracket as per the orientation shown in the image to the right.

Sit the camera into the cut out on the mount bracket in the correct orientation and use the clamp plate to hold it in place with the M6 Capscrews and washers.

Note:

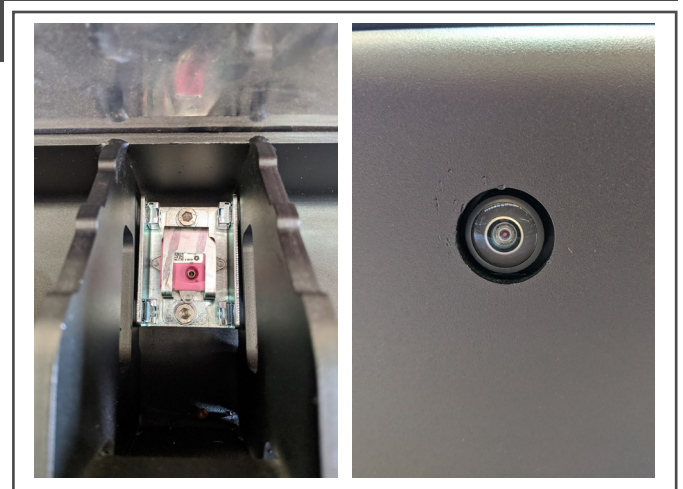
Use the exploded view and component list above as a guide



7.

Slide the mount bracket and camera assembly inside the centre support gussets and align the camera with the hole in the bar face. Attach the mount bracket to the gussets using the fasteners supplied in the kit, refer to exploded view above.

Note: while tightening the fasteners to the specified torque ensure the camera stays aligned with the hole in the bar face as shown.



8.

Feed the camera harness and plug down between the aluminium step and the body then through the centre gusset and connect it to the camera.

replace the centre inspection cover removed from the tailgate.

Note:

Check to ensure the reverse camera is functioning correctly.

